

DriTac® 7700

4-In-1

EASY CLEAN

'GREEN' MS POLYMER ADHESIVE

MS Polymer Wood Flooring Adhesive
+ Sound Control + Concrete Moisture Barrier
+ Crack Suppressant



Available in 4-gallon containers

Green Label Plus
Indoor Air Quality
(IAQ) Certified!



**NOW WITH
SOUND CONTROL**

FLOORING TYPES

- Multi-Ply Engineered Plank
- Solid Wood Planks
- Exotic Woods
- Acrylic Impregnated Wood
- Bamboo (Vertical & Horizontal Only When Used as 4-In-1 System)
- Plain-Back Parquet
- Plywood

PROFESSIONAL GRADE

FEATURES/BENEFITS

- Used as Adhesive Only or 4-In-1 System
- Easy to Clean When Wet or Dried
- Green MS Polymer Adhesive
- Concrete Moisture Control System
 - Up to 15 lbs of Vapor Emissions
- Sound Control System
- Crack Suppressant
- Isolates Old Cutback Adhesive
- CRI Certified for Indoor Air Quality!
- Zero VOCs, Zero Solvents, Zero Isocyanates
- Easy to Spread and Apply
- Very Low Odor



DriTac Flooring Products LLC is a proud member of these organizations:



INSTRUCTIONS

(Applies for Adhesive Bond Only & 4-In-1 System) - Read and understand all information below before installation. If there are any questions, please call **DriTac Flooring Products, Technical Services at (800) 394-9310 ext. 243**. It is the responsibility of the installer to determine proper drying time of the adhesive, how much set up time is needed for the adhesive, applicable trowel size for the product being installed and acceptability of subfloor conditions. The time it takes for the adhesive to cure is related to temperature, humidity, porosity of the subfloor, ventilation and air movement.

APPROVED SUBFLOORS WHEN USED AS AN ADHESIVE ONLY

Approved Subfloors: (Applies for Adhesive Only)

- Plywood • A.P.A. PS2-92 rated particleboard • Terrazzo and ceramic tile • Vinyl tile flooring coated with vinyl primer • Underlayment grade O.S.B.
- **Concrete; above, on or below grade** • Light weight concretes (coated with latex primer) • **Non-cushioned fully adhered sheet vinyl coated with vinyl primer**

APPROVED SUBFLOORS WHEN USED AS A 4-IN-1 SYSTEM

Approved Subfloors: (Applies for 4-In-1 System)

- **Concrete; above or on-grade and below-grade only in the absence of excessive moisture and alkalinity** • Light weight concretes (coated with latex primer)
- Gypcrete (Above-grade when coated with an approved latex primer)

GENERAL SUBFLOOR PREPARATION

(Applies for Adhesive Bond Only & 4-In-1 System) - • **Clean** - It is required that all concrete, sheet vinyl, vinyl tile, terrazzo and ceramic tile sub floors be scoured with #3-1/2 open coat sandpaper to remove dirt or any surface contamination such as paint, grease, oil, sealers, waxes and curing compounds. **DriTac 7700 4-In-1** adhesive should not be used over these substances. Sweep or vacuum the subfloor before installation.

- **Preparation** - All floors should be flat to within 3/16" in 10 ft. or 1/8" in 6 ft. Not properly flattening the substrate to industry standards may result in voids in the moisture control membrane when this product is used as a 4-In-1 system. This can allow moisture to adversely affect the wood flooring and is not covered by the substrate moisture warranty. Use over old asphalt cutback adhesive residue that has been scraped to the concrete is allowed.
- **Smooth and Flat** - Remove any high spots with a terrazzo grinder or Carborundum stone and fill any low spots with a good quality cementitious-based latex patch mix.

CONCRETE SUBFLOORS

(Applies for Adhesive Bond Only & 4-In-1 System) - Concrete should be at least 60 days old. Inspect the concrete before installing flooring over it. First inspect for any wetness at the base of the drywall or for visible signs of moisture on the concrete. Second, test for moisture. Use a Calcium Chloride Test for reliable concrete testing. When used as an adhesive only, DriTac 7700 Easy Clean is warranted for up to 3 lbs/1,000 ft²/24 hrs, per the ASTM 1869 Calcium Chloride Method Test. DriTac 7700 4-In-1 allows for up to 75% Relative Humidity (RH), per the ASTM 2170 Relative Humidity Test. When used as a 4-In-1 system, DriTac 7700 4-In-1 is warranted for up to 15 lbs/1,000 ft²/24 hrs, per the ASTM 1869 Calcium Chloride Method Test. DriTac 7700 4-In-1 allows for up to 85% Relative Humidity (RH), per the ASTM 2170 Relative Humidity Test. Many wood flooring products can be installed over lightweight concrete (less than 3000 PSI) or gypcrete, providing the surface is properly prepared. Follow the concrete/gypcrete manufacturer's recommendation for the application of a surface hardener/primer. Radiant heated subfloors should be turned off 24 hours prior to and during installation to prevent premature curing of the adhesive.







WOOD INSTALLATIONS

(Applies for Adhesive Bond Only & 4-In-1 System) - Provide adequate ventilation and air movement. Ideally, installation should not begin until all wet work (painting, dry wall materials, etc.) is complete and the heating/air conditioning system is in operation. Jobsite temperature should be between 55 and 90 degrees Fahrenheit. Trowel only the amount of adhesive that can be covered in 30 minutes. Install wood flooring into wet adhesive only. Secure the first row with edge blocking or top nail with finishing or sprig nails. Tighten side and end joints and reduce scooting by securing the flooring together with painters tape. (Check with wood manufacturer for list of approved tape manufacturers) Occasionally check for transfer to back of wood flooring. If adhesive transfer is less than 90% to the back of the plank scrape up the adhesive and apply fresh **DriTac 7700 4-In-1. Adhesives transfer when using this product as a 4-In-1 system must be 100%**. Apply weight to any bowed flooring and all floor mounted trim moldings. Remove all defective or unsightly boards immediately. The adhesive is very tenacious and flooring is difficult to remove after the adhesive has cured. Roll the floor with a 100 lb. roller every two to three hours during and immediately after installation.

LIMITATIONS

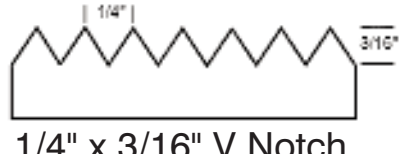
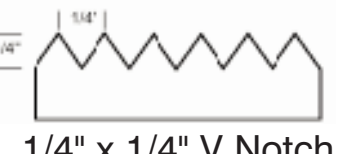
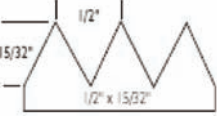
(Applies for Adhesive Bond Only & 4-In-1 System) - **DriTac 7700 4-In-1** adhesive is affected by humidity more than temperature. High humidity will cause the adhesive to cure faster and low humidity will slow the curing process. Do not use on wet, contaminated or friable substrates. Only engineered plank can be installed below grade due to the limitations in solid wood flooring such as lack of dimensional stability. After 8 or 12 hours, light traffic is allowed. Do not use as a leveling material. **DriTac 7700 4-In-1** can be applied over old asphalt cutback adhesive residue as long as the adhesive ridges and raised residue have been completely removed from the subfloor with only minor stains remaining.

TROWELS AND COVERAGE WHEN USED AS AN ADHESIVE ONLY/OVER CUTBACK ADHESIVE

Floor Type	Trowel	Coverage	Floor Type	Trowel	Coverage
multi-ply engineered plank 3/8" up to 1/2" and 5/16" to 3/8" solid strip	 3/16" x 3/16" x 5/32" V Notch	50 sq. feet/gal.	3/4" solid shorts, 4' x 4' plywood	 1/4" x 1/4" x 1/4" Square Notch	30 sq. feet/gal.
5/16" solid parquet, 1/4" engineered plank	 1/8" x 1/8" x 1/8" Square Notch	80 sq. feet/gal.	Greater than 1/2" engineered plank, 3/4" parquet and solid plank greater than 3/8" and up to 1/2"	 1/4" x 1/4" x 1/8" Square Notch	35 sq. feet/gal.
Floor Type	Trowel		Trowel		Coverage
Bamboo up to 5/8" in thickness	 3/16" x 3/16" x 3/16" Square Notch				35 sq. feet/gal.

Trowel diagrams are not to scale. Use **DriTac 7700** adhesive with a properly notched trowel. All square footage rates are estimated. Rates will vary based on substrate condition and the angle the trowel is held to the subfloor. DriTac Warranties do not cover problems caused by improper use of installation products. Follow flooring manufacturers written installation instructions.

TROWELS AND COVERAGE WHEN USED AS A 4-IN-1 SYSTEM/OVER CUTBACK ADHESIVE

Floor Type	Trowel	Coverage	Floor Type	Trowel	Coverage
multi-ply engineered plank and plain-back parquet	 1/4" x 3/16" V Notch	30-35 sq. feet/gal.	bamboo (vertical and horizontal only) up to 5/8" in thickness. Not for use to install strand woven bamboo flooring.	 1/4" x 1/4" V Notch	30 sq. feet/gal.
Meets IIC & STC Building Code Requirements for Sound Reduction			solid wood planks and bamboo (vertical and horizontal only) greater than 5/8" in thickness. Not for use to install strand woven bamboo flooring.	 1/2" x 15/32" V Notch	20 sq. feet/gal.

Trowel Diagrams are not to scale. Use **DriTac 7700 4-In-1** with a properly notched trowel. Each trowel can spread a maximum of 800 sq. ft. of **DriTac 7700 4-In-1**. Once 800 sq. ft. is reached, a new trowel is required. Note: Using a trowel other than the trowel recommended, voids the warranty. All square footage rates are estimated. Rates will vary based on substrate condition and the angle the trowel is held to the subfloor. DriTac Warranties do not cover problems caused by improper installation. Follow flooring manufacturers written installation instructions. 9/15

PLEASE READ PRODUCT LABEL FOR COMPLETE PRODUCT INFORMATION & INSTALLATION INSTRUCTIONS